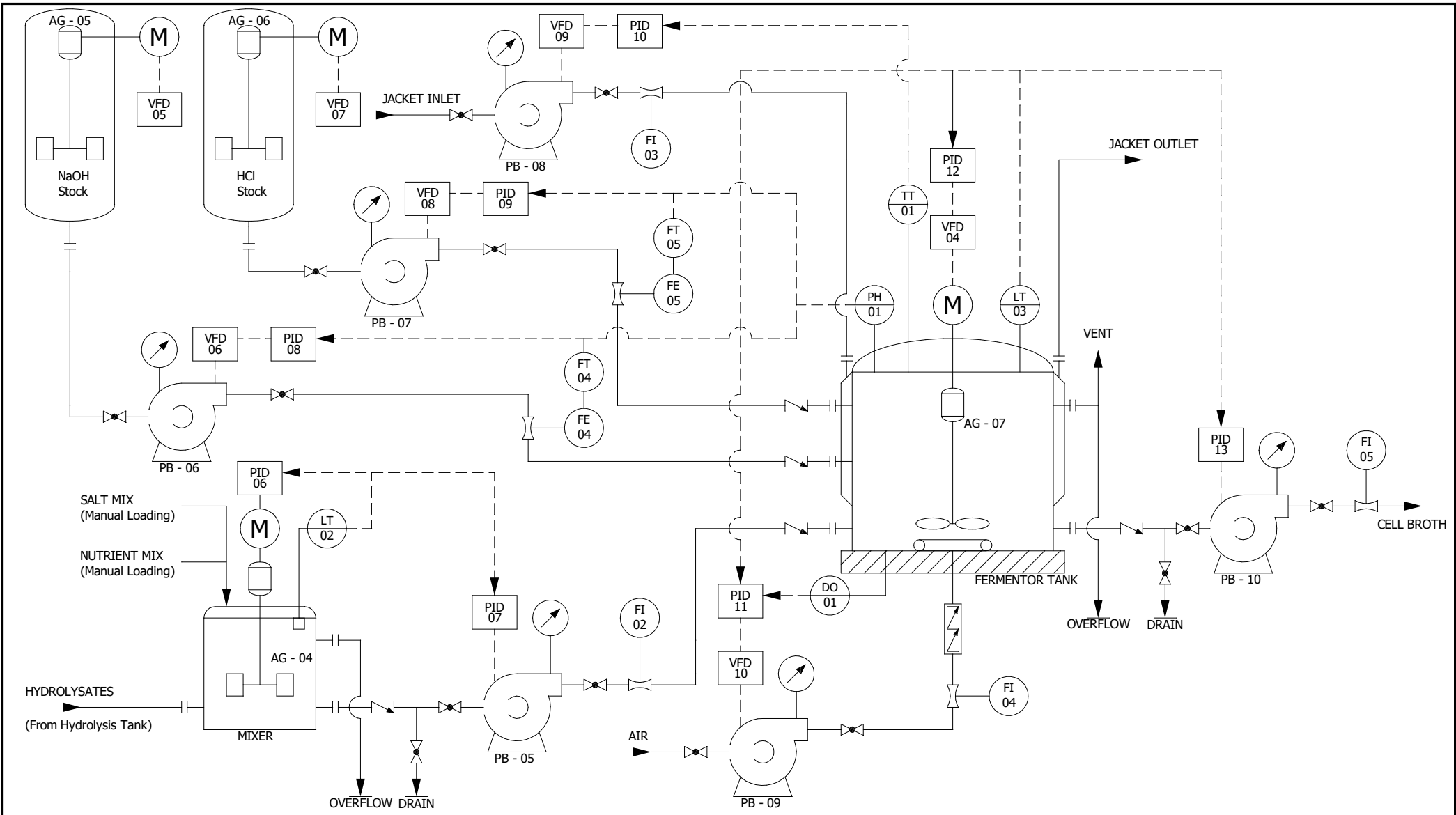


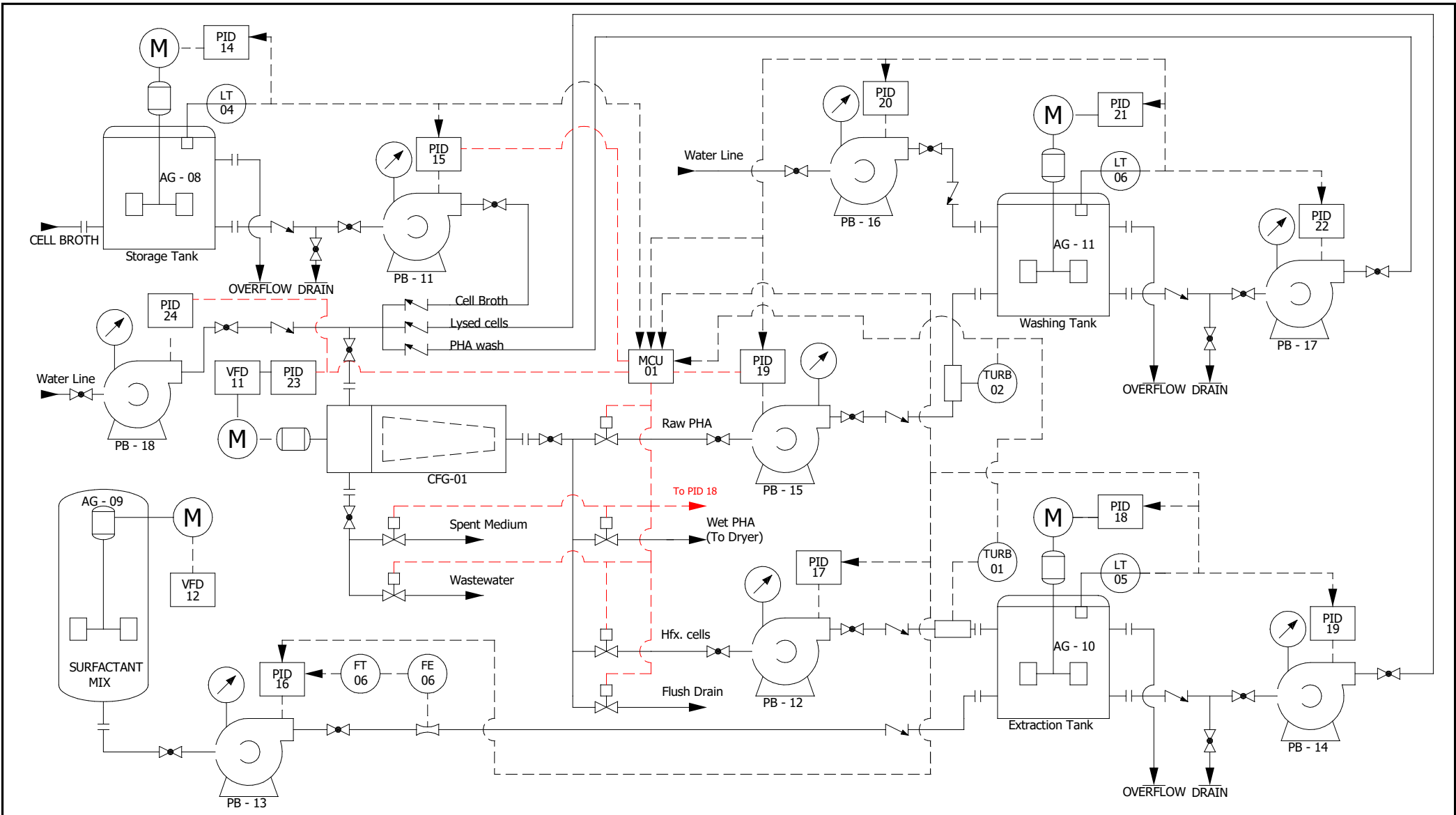
SOLIDWORKS Electrical



Fermentor Tank

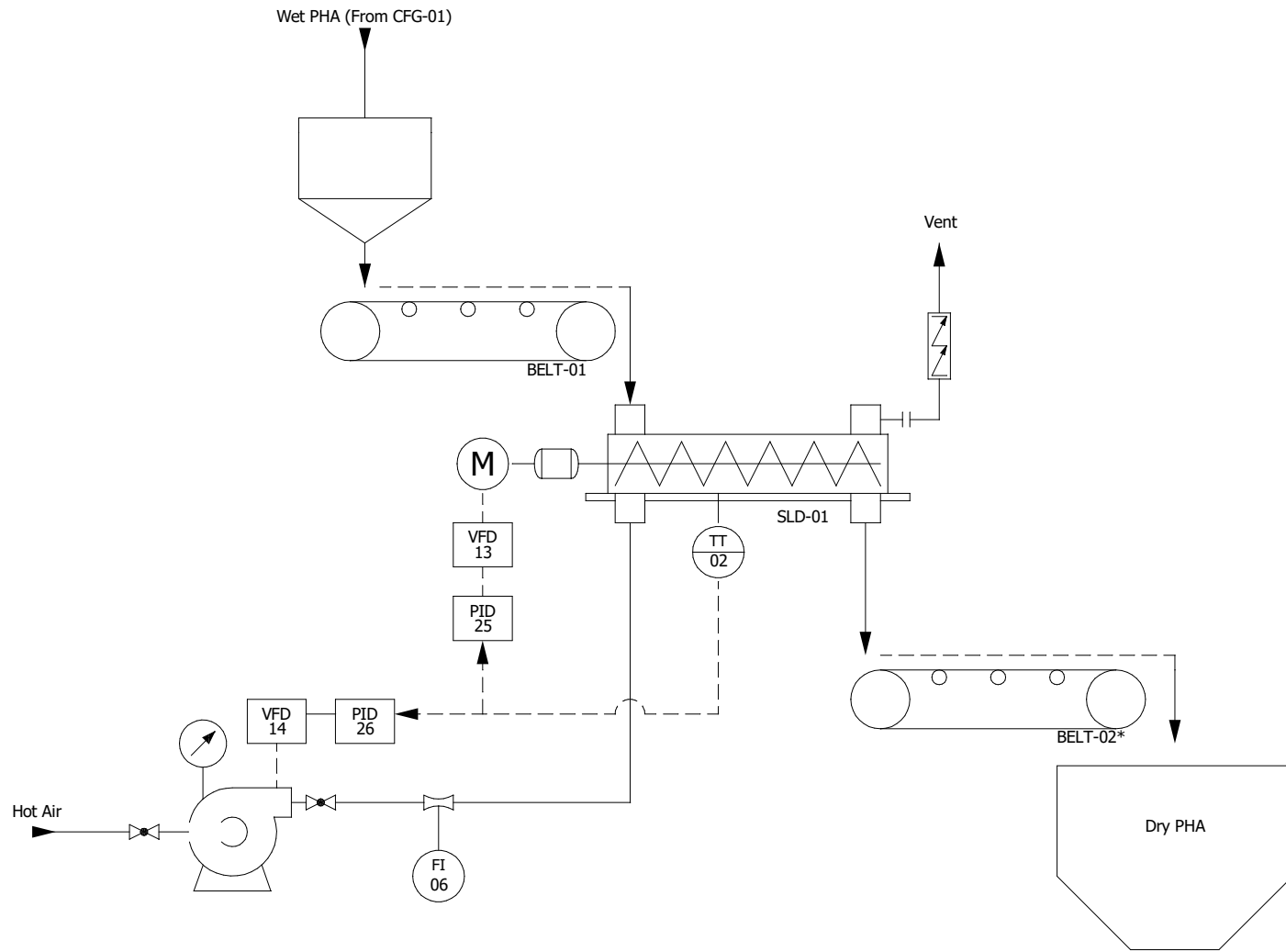
CONTRACT:		LOCATION: L1		Main electrical closet		User data 1		User data 2		REVISION
										0
0	3/22/2021	troen								SCHEME
										04

Document realized with version : 2020.0.3.7



Separation & Extraction

CONTRACT:		LOCATION: L1		Main electrical closet		<table border="1"> <tr> <td>REV.</td> <td>DATE</td> <td>NAME</td> <td>CHANGES</td> </tr> <tr> <td>0</td> <td>4/5/2021</td> <td>troen</td> <td></td> </tr> </table>		REV.	DATE	NAME	CHANGES	0	4/5/2021	troen		REVISION
REV.	DATE	NAME	CHANGES													
0	4/5/2021	troen														
						User data 1		User data 2		0						
										SCHEME						
										05						



*Add belts as necessary

Drying

CONTRACT:

LOCATION: L1

Main electrical closet

				REVISION
				0
0	5/3/2021	troen		
REV.	DATE	NAME	CHANGES	SCHEME
User data 1			User data 2	06